

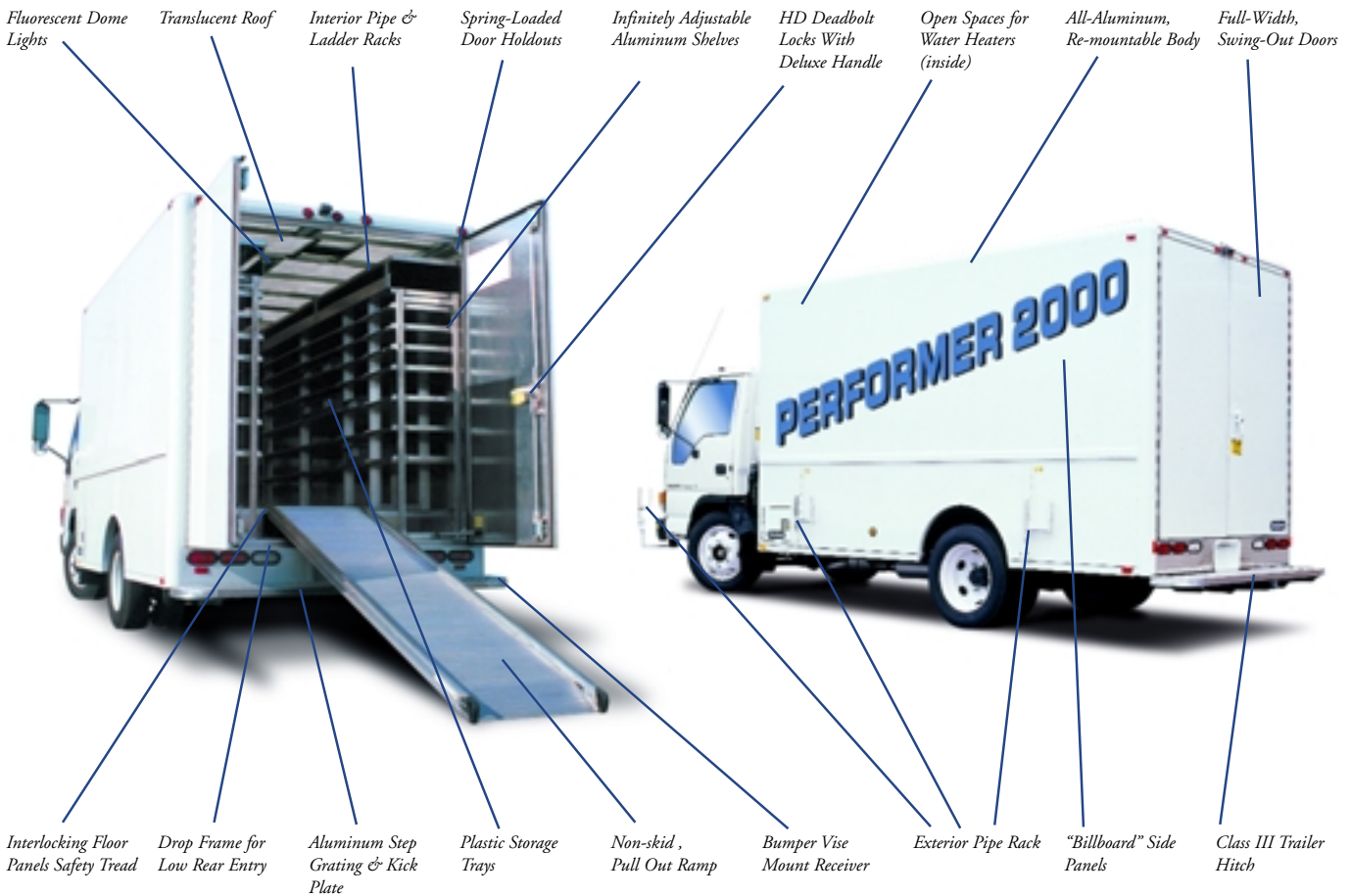


www.hackneyplumbing.com

Performer™ Service Body

Hackney "P/2000"

Get Smart.



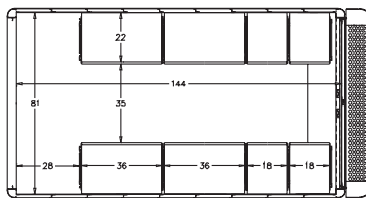
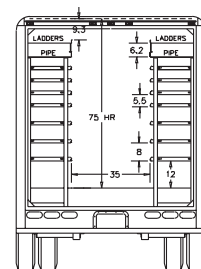
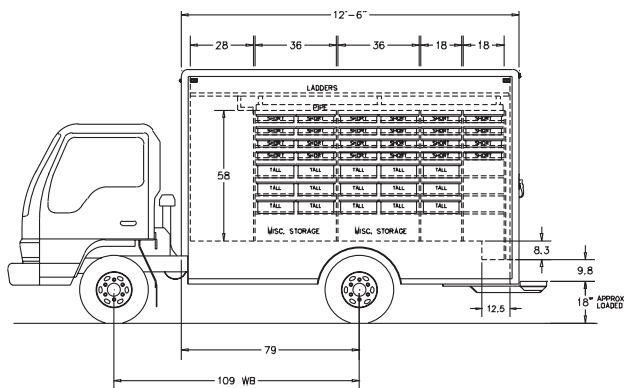
There's no smarter service vehicle available than Hackney Performer P/2000. More room. More options. Better handling. All this innovation at a price you don't have to be a genius to see is the most competitive on the road. Don't put off a wise decision. **Contact us today: 1-800-763-0700.**

Dimensions

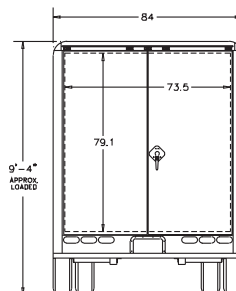
- Width 84"
- Length 12'6"
- Headroom 75"
- Height from ground approx. 9'4" diesel, 9'6" gas (loaded)

Chassis

- Tilt cab – gas or diesel
- GVWR – 11,050 lbs. to 14,500 lbs.
- WB – 109"
- CA – 88"



**plastic trays optional*



Standard Equipment

Rear Door

- Full-width, double swing out - 73.5" w x 79.1" h
- HD deadbolt lock assembly with deluxe handle, push cylinder
- Spring rod door retainers hold doors out at 90 degrees

Roof

- Double wall aluminum with insulation

Sides

- Double wall aluminum

Floor

- Aluminum interlocking panels with safety tread
- Drop floor in rear for walk-in access

Bumper

- Aluminium step type with open safety grating—approx. 18" above ground

Interior Shelves

- All-aluminium on vertical tracks, infinitely adjustable/removable
- Open space at front 28" w for water heater/sewer machine/misc. storage
- Two (2) sections 36" w x 22" d each side—seven (7) shelves high
- Two (2) sections 18" w x 22" d each side—seven (7) shelves high
- Flat pitch with 1" retainer lip turned up at the aisle
- Fixed pipe rack shelf each side 122" l x 23" d x 6" h
- Full length fixed ladder shelf each side at ceiling with 1" retainer lip turned up at the aisle

Interior Lights

- Three (3) round 7" clear overhead dome lights with switch at rear and master switch in cab (if available)

Paint

- One color—white—to match cab

Chassis Alteration and Mounting

- Drop frame behind rear axle for lower rear entrance

